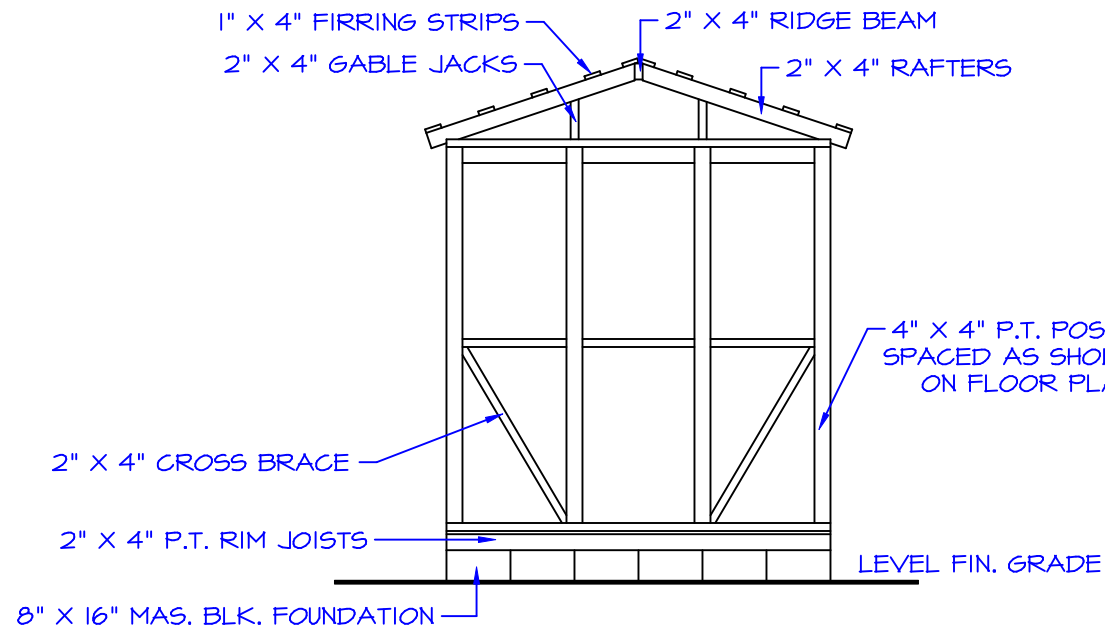
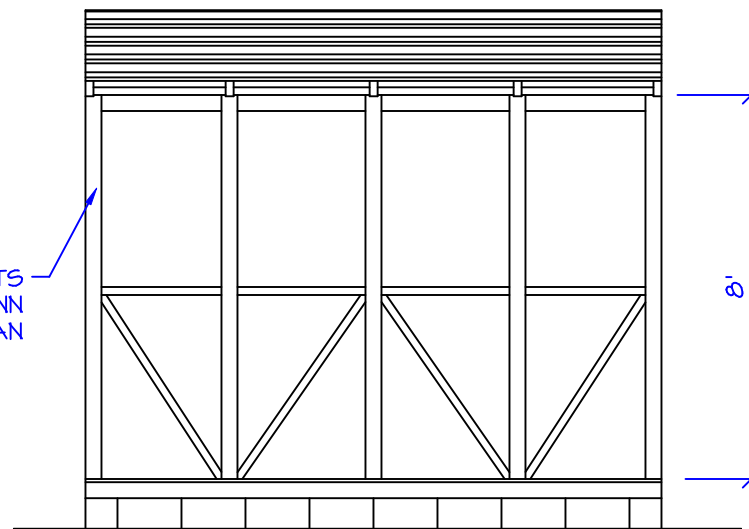


D.I.Y. GREENHOUSE



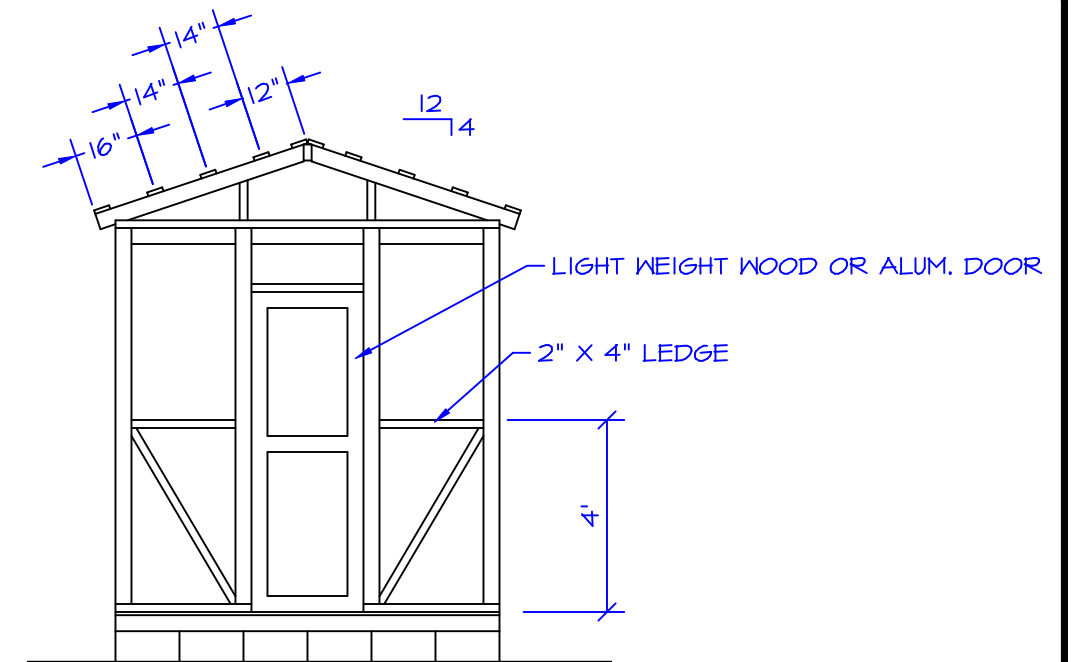
REAR ELEVATION

SCALE: 1/4" = 1'- 0"



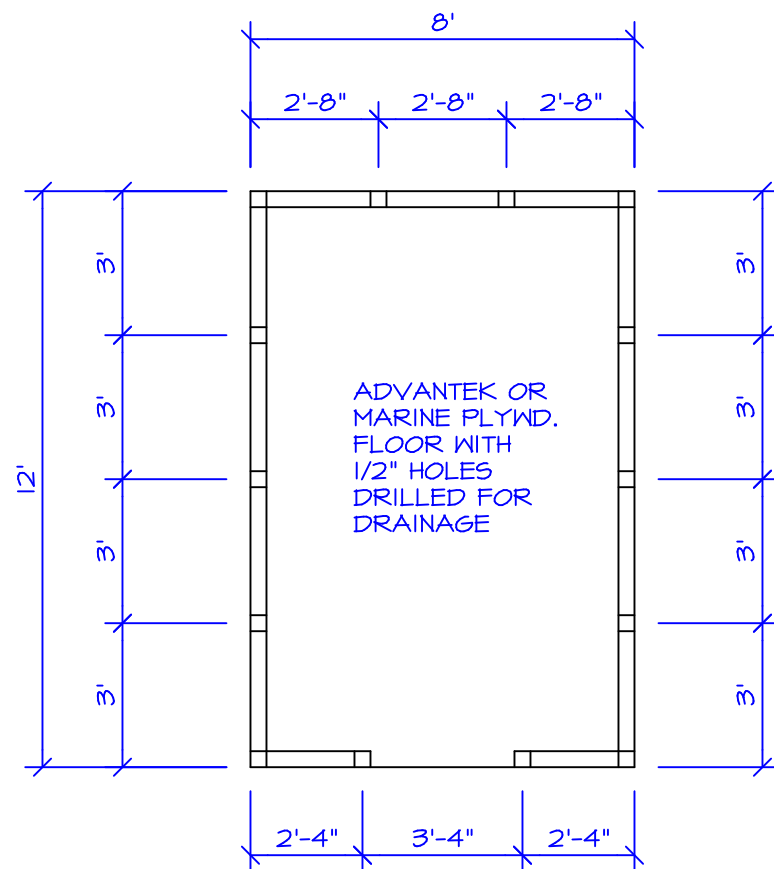
SIDE ELEVATION

SCALE: 1/4" = 1'- 0"



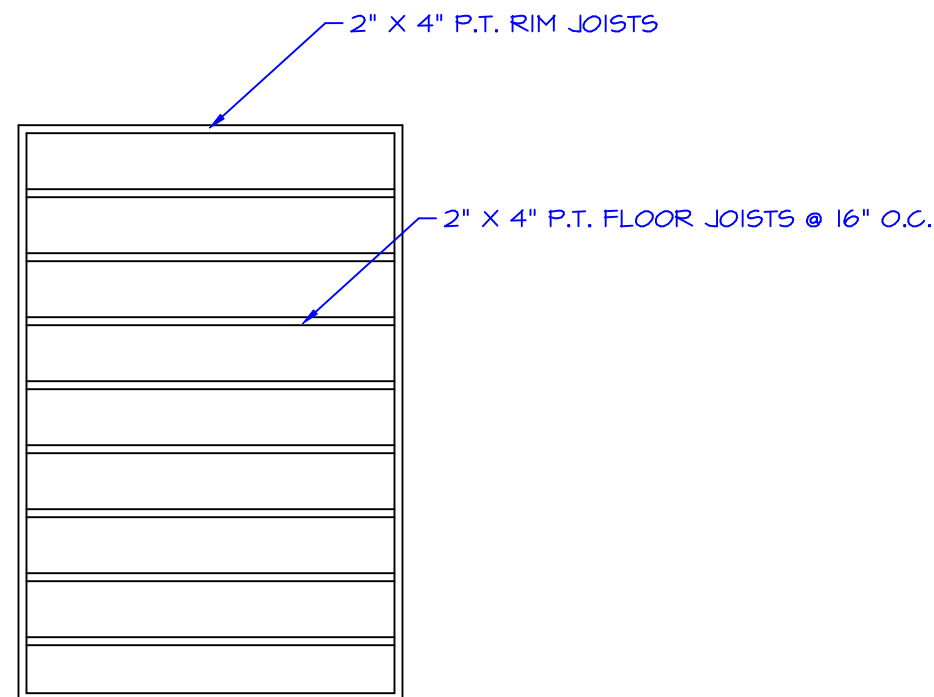
FRONT ELEVATION

SCALE: 1/4" = 1'- 0"



FLOOR PLAN

SCALE: 1/4" = 1'- 0"



FLOOR FRAMING

SCALE: 1/4" = 1'- 0"

P.T. = PRESSURE TREATED LUMBER
O.C. = ON CENTER

- NOTES:
1. REMOVE ALL EXPOSED SHARP EDGES
 2. COVER FRAMEWORK W/ 4 MIL OR GREATER CLEAR PLASTIC SHEATHING. ATTACH USING NARROW FIRING STRIPS. USE 1/2" SHEETROCK SCREWS
 3. NO WARRANTY OR GAURANTEE FOR ACCURACY OF THE DRAWINGS.